



ECU-B

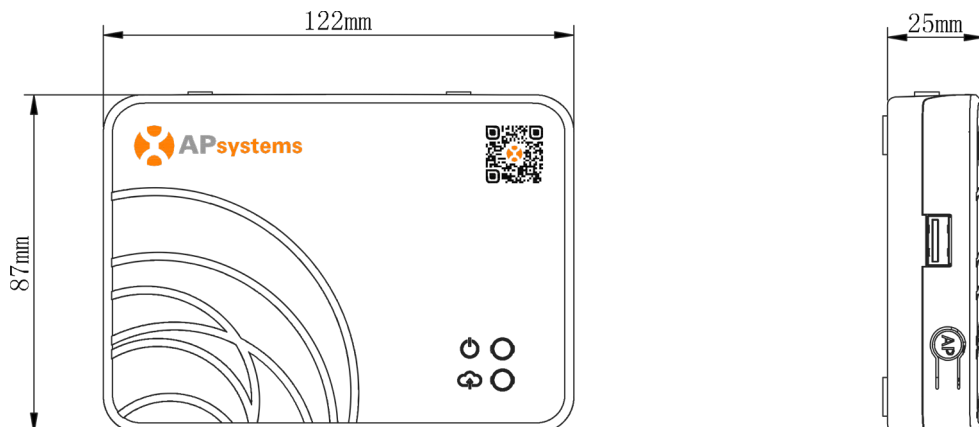
Energy Communication Unit

- Collection and transmission of inverter data
- Real time monitoring of each inverter
- Stable wireless encrypted ZigBee communication with microinverters, built-in Wi-Fi available
- Small size, flexible installation
- Maximum monitoring 4 input channels

PRODUCT FEATURES

The APsystems Energy Communication Unit (ECU-B) is the information gateway for our inverters. ECU-B has been specially developed to monitor small PV systems up to 4 PV modules input channels. The unit collects module performance data from each individual inverter and transfers this information to an Internet database in real time, requiring only a single data and power cable. Through the APsystems Energy Monitoring and Analysis software (EMA), the ECU-B gives you precise analysis of each inverter and module in your solar installation from APP. The user-friendly interface lets you access your solar array in seconds.

DIMENSIONS



ECU-B Datasheet

Model

ECU-B

Communication to Microinverter

Communication	ZigBee 2.4 GHz
Maximum Communicating Input channels*	4

Communication to EMA

Wireless	Wi-Fi 802.11b/g/n
Wireless Security	WEP, WPA2-PSK
USB Interface	5Vdc-0.5A Output

Power Data

Power Supply	5V, 2A
Power Consumption	1.7 W

Product Specifications

Frequency Range	2412MHZ-2472MHZ (WIFI), 2405mhz-2480mhz (ZigBee)
RF Output Power (EIRP)	16.56 dbm (WIFI), 9.50 dbm (ZigBee)
Type of Antenna	External antenna
Modulation	DSSS, OFDM
Mode of Operation(Simplex/Duplex)	Duplex

Mechanical Data

Dimensions (W×H×D)	122 mm x 87 mm x 25 mm (4.8" x 3.4" x 0.98")
Weight	150g (0.33lbs)
Operating Ambient Temperature Range	-20°C to +65°C (-4°F to +149°F)
Cooling	Natural Convection; No Fans
Enclosure Environmental Rating	Indoor - NEMA 1 (IP20)
Warranty	3 Years Standard

Features

Compliance	IEC 60950-1, EN60950-1, IEC 60529, EN 60529, ANSI/UL 60950-1, CAN/CSA C22.2 No.60950-1, UL50E, FCC part 15, EN61000-6-1, EN61000-6-3, ICES-003, AS NZS 60950-1, GB/T17799
------------	---

*For example 2pcs of DS3 or DS3D, 1pcs of QT2 or QT2D.



Please scan this QR code to download our APPs or check the link:
<https://apsystems.com/qr-code/>



© All Rights Reserved
Specifications subject to change without notice - please ensure you are using the most recent update found at www.APsystems.com